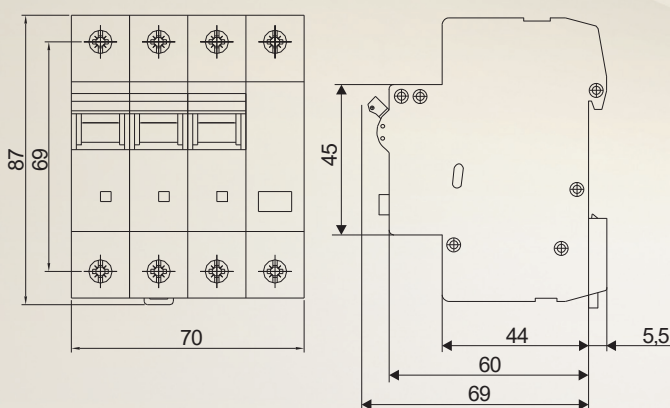
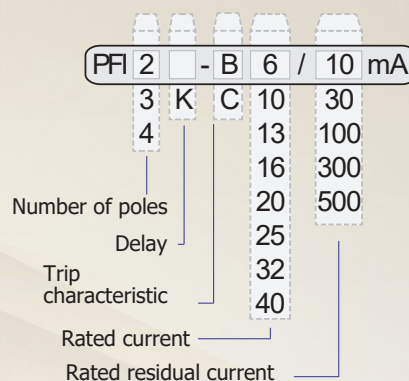


Residual current circuit breakers with overcurrent protection PFI



Color code:

6 A	green
10-13 A	red
16 A	gray
20 A	blue
25 A	yellow
32 A	purple
40 A	black



- 2v1 - current protector and circuit breaker
- 10kA short-circuit resistance
- Space-saving in the distribution board and working time
- Approved connectivity for copper and aluminum wires
- Clear identification using colored levers

Technical data:

	PFI 2	PFI 3	PFI 4
No of poles	2	2	4
No of modules	2	3	4
Tripping characteristics	B, C		
Rated current I_n	A 6,10,13,16,20,25,32,40		
Rated residual current $I_{\Delta n}$	A 0,01-0,5 up to 25 A	0,03-0,5 from 25 A	0,03; 0,1 ; 0,3; 0,5
Rated voltage U_n	V 230	230	400
Rated frequency	Hz 50		
Rated short circuit capacity I_{cn}	A 10 000		
Selection class	3		
Tripping characteristic of the protector	without delay		
Residual operating current	type A – AC and pulsating DC current		
Electrical endurance	4000		
Mechanical endurance	10000		
Degree of protection	IP20, IP40 front		
Mounting position	optional		
Ambient temperature	°C -25 up to +40		
Connecting clamps	Headed/stirrupted		
Terminal capacity	mm ² 1-25		
Accessories	Auxiliary contacts, shunt trips VC		

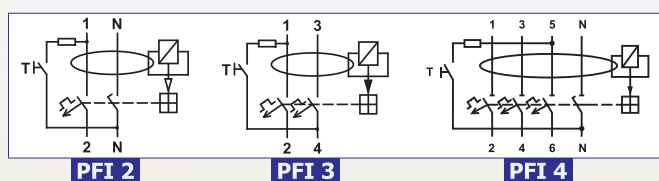
Usage:

- Device is a combination of residual current circuit breaker and circuit breaker for rated current 6, 10, 13,16, 20, 25, 32, 40 A
- They are used in house and similar installations

Protection against:

- Additional protection in the even direct contact
- Indirect contact
- Fire
- Overcurrents
- Short circuit (breaking capacity 10 kA)
- Range of rated residual operating current $I_{\Delta n}$ is 10, 30, 100, 300, 500 mA ($I_{\Delta n} = 10$ mA for devices with rated current up to 25 A including)
- Tripping characteristics B,C according STN EN 61 009-1
- Simple assembly with spring clamps to the strip 35 x 7,5 EN 60 715
- Sealable in on and off position
- Optical state indicator on the front side indicating operation state of device (green target visible – closed contacts, red target visible – opened contacts)
- Connected clamp headed/stirrupted range of connecting wires 1 - 25 mm²
- Working position optional
- There is a possibility to use auxiliary contacts
- Type K - special version with delayed tripping min. 10ms

Connecting schemes:



Validity from: 07.10.2025

SEZ Kropachy a.s. • Hornádska 1 • 053 42 Kropachy • Slovak Republic

tel.: +421 53 4189 144 • www.sez-kropachy.sk • e-mail: yes@sez-kropachy.sk

